

# Piano

LIFE SAVER SYSTEM<sup>®</sup>

from  
DAMPP-CHASER



## Instructions for Replacing Humidifier Pads

Model UHP- 4-Pack

With this package, you can make (2) pad changes for tall Vertical tanks or (4) pad changes for any other Damp-Chaser Humidifier.

Package Contains:

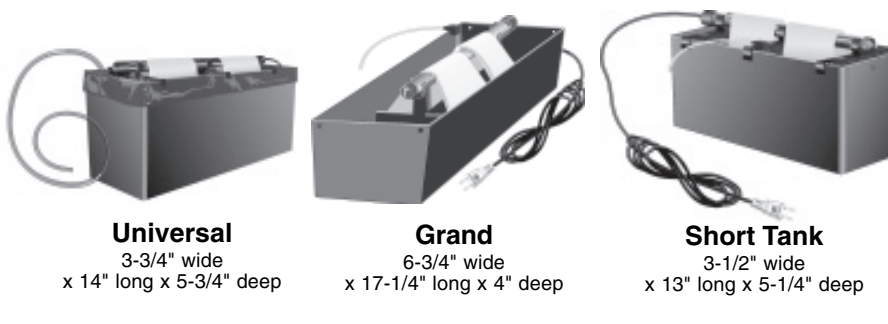
- (4) 30-inch pads,
- (1) clear liner for tall Vertical Tanks
- (1) black liners for Universal Tanks



Use the 30" pads  
FULL LENGTH  
for tall Vertical  
Humidifiers

3-3/4" wide  
x 13" long x 9" deep

Cut the pads in HALF to fit these tanks:

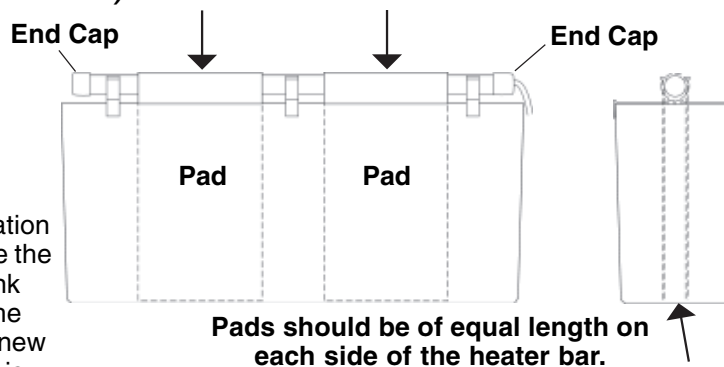


### A. Replacing Pads

1) *Drape the pads across the heater bar and push them down into the tank. To replace a liner, remove the tank from the piano (see #2 below).*

Humidifier Pads should be changed at least twice a year. To ensure a properly functioning Humidifier, change the pads during the fall and then, change them again in the spring.

In some cases, depending upon the location of the Humidifier, it is possible to change the pads without removing the Humidifier tank simply by removing the old ones from the heater bar and replacing them with the new pads. If the baffle above the grand tank is disturbed, make sure it is straightened out after putting the new pads in place.



2) **If it is necessary to remove the tank to install a new liner and change pads, the water in the tank should be emptied.**

**Grand Piano:** Under the piano, place a receptacle below the tank. Loosen the wing nut that holds the watering tube and remove the tube from the tank. Remove the old pads from the Humidifier heater bar and place them in a container, (be careful not to drip water on the floor). Remove the heater bar and the Water Sensor probes. Unclip one end of the tank from the hanger rod by pushing the end of the tank upward. Slowly lower the freed end until water spills over into the receptacle. Remove the tank completely (by unclipping the end of the Humidifier that is still attached to a hanger rod) and empty the tank completely. If it is the Universal Humidifier (see dimensions above), remove the old liner and replace it with a new one. If you have an older Grand or Short tank Humidifier, you can clean it by using warm soapy water. Hang the Humidifier tank back on the hanger rods. Then, use the wing nut to remount the watering tube and replace the other Humidifier components. Drape the new pads across the Humidifier heater bar. (Be sure the end of the watering tube is inside the plastic liner for the Universal Humidifier.) Fill the tank through the watering tube according to directions on the watering can or the Care and Maintenance instructions.

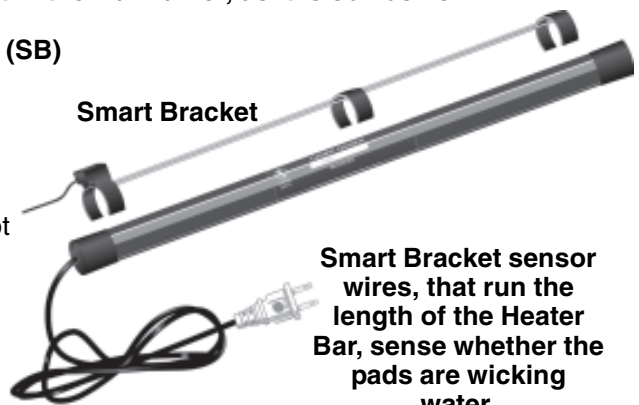
**Vertical (Upright) Piano:** Remove the piano's bottom panel. Loosen the wing nut on the tank which holds the watering tube and remove the tube from the tank. Remove the old pads from the Humidifier heater bar and place them in a container, (be careful not to drip water on the floor). Remove the heater bar and the Water Sensor probes. Lift the tank out of the piano and empty the water into a receptacle. Remove the old liner and replace with a new one. Replace the Humidifier in the piano. Use the wing nut to remount the watering tube and then replace the other Humidifier components. Drape the new pads across the Humidifier heater bar. (Be sure the end of the watering tube is inside the plastic liner). Fill the tank through the watering tube according to directions on the watering can or the Care and Maintenance instructions.

#### **B. Add water to the Humidifier Tank**

If your tap water comes from a well or is "hard" water, meaning containing significant minerals, we recommend using distilled water. If distilled water is used, add a capful of Humidifier Treatment (see below) or 1/4 cup of tap water to insure there are adequate electrolytes in the Humidifier to support operation of the yellow Water Sensor Light. Without sufficient electrolytes, the light will blink continuously, even when the tank is full. **Do not put salt in the Humidifier, as it is corrosive.**

#### **C. If your System is equipped with a Smart Bracket (SB)**

When the red light marked **PADS** on the light panel blinks, the Smart Bracket (SB) bar has sensed that the pads are not wicking water across the bar. The SB sensor wires, that run the length of the heater bar, can sense the condition of the pads only if the wires are kept reasonably free from mineral build-up. During pad changing, remove the SB from the heater bar: then, remove mineral residue on the wires by carefully scraping the wires with the edge of a knife held perpendicular to the wire. Alternatively, it may be simpler to bring a new SB to replace the old one. Replacement SB's are available from your Dampp-Chaser distributor.



**Smart Bracket sensor wires, that run the length of the Heater Bar, sense whether the pads are wicking water.**

#### **D. Use Dampp-Chaser Humidifier Treatment regularly**

Humidifier Treatment inhibits bacterial and algae growth in the Humidifier tank and watering tube. The Treatment is available from your technician or call Dampp-Chaser at (800) 438-1524. Use according to directions on the bottle.

***WARNING: Add only the Dampp-Chaser brand of Humidifier Treatment to the Humidifier water. Other brands of humidifier treatment may contain acids which can corrode strings and metal parts in the piano. The use of other humidifier treatment preparations will void the warranty of the Piano Life Saver System and may void the warranty of the piano manufacturer.***



**Dampp-Chaser Corporation**  
(800) 438-1524 · Tel: (828) 692 8271 · Fax: (828) 692 8272  
P. O. Box 1610 · Hendersonville, NC 28793  
website: [www.PianoLifeSaver.com](http://www.PianoLifeSaver.com) · email: [piano@dampp-chaser.com](mailto:piano@dampp-chaser.com)



## Instructions for Replacing Humidifier Tank Liner

Black liners are intended for use in the Universal Tank.  
Clear Liners are for the tall, older style, vertical piano tank.

### Grand Piano Instructions

1. Carefully remove the Pads from the Humidifier Heater Bar. It is helpful to have a bag or bucket handy, as Pads will be wet and may be encrusted with mineral deposits.
2. Undo the wingnut and bolt holding the Watering Hose to the tank.
3. Unclip the brackets holding the Humidifier Heater Bar to the tank. You may leave the Smart Bracket and Low Water Sensor attached to the brackets.
4. Push upward at either end of the Humidifier Tank to unhook it from the Hanger Rods. Be extra careful if the tank has water in it. Do the same at the other end and carefully lower the tank so as not to spill any of the water.
5. Empty the water into a sink or toilet.
6. Remove the old Liner and dispose of it.
7. Install the new Liner and push it fully into the Humidifier Tank.
8. If you are replacing the Clean Sleeve,<sup>®</sup> remove the Smart Bracket, Low Water Sensor (if applicable), and the brackets from the Humidifier Heater Bar and slide the old Clean Sleeve off. Clean the Humidifier Heater Bar if necessary and slide the new Clean Sleeve into place. Reinstall the Smart Bracket and Low Water Sensor on top of the new Clean Sleeve.
9. Attach one end of the Humidifier Tank to the Hanger Rods and carefully reinstall the Humidifier Heater Bar assembly, making sure not to poke holes in the new Liner with the Low Water Sensor.
10. Reattach the other end of the tank to the Hanger Rods.
11. Reattach the Watering Tube to the tank using the wingnut and bolt.
12. Install new Pads by draping them over the Humidifier Heater Bar.
13. Refill the Humidifier tank with water and Pad Treatment. **Never use anything other than Damp-Chaser Pad Treatment.**

### Vertical Piano Instructions

As above except skip Steps 4, 9, and 10.



## Instructions pour Remplacer la Poche Plastique du Bac Humidificateur

Les poches noires sont prévues pour le bac universel, les poches transparentes pour les anciens grands bacs de piano droit.

### Instructions pour le piano à queue :

1. Retirez soigneusement les buvards du tube chauffant de l'Humidificateur. Comme ils sont mouillés et éventuellement couverts de dépôts minéraux incrustés, il est plus pratique d'avoir un sachet ou un seau à portée de main.
2. Desserrez l'écrou-papillon et la vis qui fixent le tuyau de remplissage au réservoir.
3. Décrochez les supports qui fixent le tube chauffant au bac. Vous pouvez laisser le Support Intelligent et la Sonde de niveau d'eau fixés aux supports.
4. Soulevez l'une des petits côtés du bac pour le décrocher des tiges auquel il est suspendu. Si le bac contient de l'eau, décrochez-le avec grande précaution. Décrochez ensuite l'autre côté du bac et abaissez-le soigneusement pour ne pas renverser l'eau.
5. Videz l'eau dans l'évier ou les toilettes.
6. Retirez l'ancienne poche plastique et jetez-la.
7. Mettez en place la nouvelle poche et poussez-la complètement dans le bac.
8. Si vous remplacez le manchon de protection transparent du tube chauffant, décrochez le capteur intelligent, la sonde de niveau d'eau et les supports du tube chauffant. Faites glisser et retirez l'ancien manchon. Nettoyez au besoin le tube chauffant et glissez le manchon neuf autour du tube. Remettez en place le support intelligent et le capteur de niveau d'eau sur le manchon de protection neuf.
9. Accrochez un côté du bac à la tige de support et replacez soigneusement l'assemblage du tube chauffant, en vous assurant de ne pas percer de trous dans la poche neuve avec la sonde de niveau d'eau.
10. Fixez l'autre côté du bac à l'autre tige.
11. Rattachez le tube de remplissage au bac avec l'écrou-papillon et la vis.
12. Mettez les buvards neufs en place sur le tube chauffant.
13. Remplissez le bac d'eau et de produit pour buvards. **Utilisez exclusivement le produit pour buvards Damp-Chaser.**

### Instructions pour le piano droit :

Même procédure sauf les étapes 4, 9, et 10.



### Damp-Chaser Corporation

(800) 438-1524 · Tel: (828) 692-8271 · Fax: (828) 692-8272

P. O. Box 1610 · Hendersonville, NC 28793

website: [www.PianoLifeSaver.com](http://www.PianoLifeSaver.com) · email: [piano@damp-chaser.com](mailto:piano@damp-chaser.com)

## Anleitung zum Ersetzen der Auskleidung des Befeuchtertanks

Schwarze Auskleidungen sind für den Universaltank bestimmt.

Transparente Auskleidungen für die älteren hochformatigen Klaviertanks benutzen.

### Anleitung für Flügel:

1. Entfernen Sie vorsichtig die Tücher vom Heizstab. Ein Beutel oder ein Eimer sollte greifbar sein, da die Tücher nass sind und mineralische Ablagerungen enthalten.
2. Lösen Sie die Flügelmutter und die Schraube, die den Füllschlauch halten.
3. Lösen Sie die Klammern, mit denen der Heizstab am Tank befestigt ist. Die Sensordrähte und der Wasserstandssensor können am Heizstab verbleiben.
4. Drücken Sie ein Ende des Befeuchtertanks nach oben, um ihn aus den Aufhängungsstäben auszuhängen. Seien Sie besonders vorsichtig, wenn Wasser im Tank ist. Wiederholen Sie dasselbe am anderen Ende und achten Sie dabei darauf, kein Wasser zu verschütten.
5. Leeren Sie das Wasser in einen Ausguss oder eine Toilette.
6. Entfernen Sie die alte Auskleidung.
7. Schieben Sie die neue Auskleidung in das Innere des Tanks.
8. Wenn Sie die Schutzmanschette erneuern, entfernen Sie die Sensordrähte, den Wasserstandssensor (falls nötig) und die Befestigungsklammern vom Heizstab und nehmen Sie die alte Schutzmanschette ab. Reinigen Sie den Heizstab wenn nötig und streifen Sie die neue Schutzmanschette über. Bringen Sie die Sensordrähte und den Wasserstandssensor auf der neuen Schutzmanschette an.
9. Hängen Sie ein Ende des Befeuchtertanks an den Aufhängungsstäben ein und montieren Sie den Heizstab. Vorsicht, beschädigen Sie nicht die neue Auskleidung mit dem Wasserstandssensor.
10. Hängen Sie das andere Ende des Tanks ein.
11. Bringen Sie den Füllschlauch mit der Schraube und der Flügelmutter an.
12. Legen Sie die neuen Saugtücher über den Heizstab.
13. Füllen Sie den Befeuchtertank mit Wasser und Wasserzusatz. **Benutzen Sie nie ein anderes Mittel als den Damp-Chaser-Wasserzusatz.**

### Anleitung für Klaviere:

Wie oben ohne die Schritte 4, 9 und 10.

Please install  
a new "Clean Sleeve"  
each time you change  
the Humidifier liner.

Erneuern Sie bitte die  
Manschette ein Mal  
jährlich oder beim  
Austausch der  
Auskleidung des Tanks.

Veillez installer  
un nouveau  
"Clean Sleeve" à  
chaque changement  
de revêtement  
d'humidificateur.

Always mount the  
Smart Bracket probes  
**OUTSIDE** the plastic Sleeve.

Montieren Sie die Sensorklammer immer  
ÜBER der Kunststoffmanschette.

Assurez vous de positionner les  
détecteurs du Support Intelligent  
**AU DESSUS** du plastique "Clean Sleeve."

